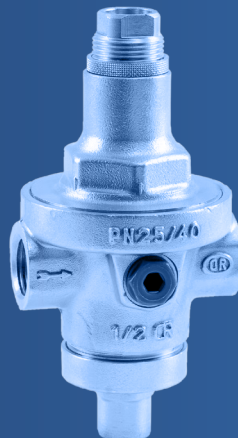




**WRAS**  
APPROVED  
PRODUCT

**PRESSURE REDUCING VALVE WITH DIAPHRAGM PN 40 WITH COMPENSATION CHAMBER AND STAINLESS STEEL SEAT - WITH "WRAS" APPROVAL**

CONNECTIONS: FEMALE-FEMALE



### HYDRAULIC FEATURES

The pressure reducing valve PN 40 with diaphragm and compensation chamber, "WRAS" approved (UK Water Regulations Advisory Scheme), is an automatic valve that reduces and stabilizes the fluid pressure in a water distribution conduit according to a preset value. The use of this hydraulic device is necessary if the maximum possible pressure at any point in the water distribution system can reach or exceed the relative maximum allowable working pressure, or if connectable to apparatus and equipment that function exclusively at lower levels of pressure. The "WRAS" approved pressure reducing valve is made of CR brass which is resistant to dezincification and reduces corrosion in the system to a minimum; even if the local water supply should cause such a phenomenon (likewise ideal in conditions described in EN 806-2 A.1). The enhanced mechanical strength of the shell and its internal components renders this valve particularly suitable for sanitary installations for water distribution outside buildings (EN 805), where the water pressure in the water mains may reach values as high as 40 bar. Further, the compensated seat offsets the influence that variations in upstream pressure may have on the downstream pressure. The flexible diaphragm in EPDM rubber is reinforced with high mechanical strength polyamide textile and in conjunction with the antistick-slip O-ring made of Perox EPDM rubber, they allow a precise and long-lasting pressure regulation. The internal finish of the valve's body and the absence of moving parts guarantee an elevated flow capacity, even when the water draw is minimal. The diaphragm-type, "WRAS" approved pressure reducing valve with compensation chamber (PN 40) is used in air conditioning plants, sanitary installations for water supply, irrigation systems, compressed air (not oil mist) distribution systems, sanitary installations for water supply within buildings, according to EN 806-2; and for fire suppression piping. (It should nevertheless be borne in mind that local government standards for fire protection must always be observed). This product adheres to the standards set forth by the European health authorities for the transport of alimentary fluids and potable water.

**ATTENTION: THE PRESSURE GAUGE CONNECTED TO THE PRESSURE REDUCING VALVE INDICATES THE ALREADY-REDUCED PRESSURE (Ps) OF THE OUTLET LIQUID FLOW.**

### TECHNICAL FEATURES

<b>Pressure:</b>	
Maximum allowable working pressure (PN)	40 bar
Outlet settings (Ps)	from 1 to 7 bar
Ps value set during testing	3 bar
Outlet Ps set tolerance on varying inlet pressure	± 5 %
<b>Temperature:</b>	
maximum working temperature (TS)	0°C (excluding ice) 80°C
<b>Compatible fluids:</b>	
water	
glycolate solutions	glycol 50%
compressed air	
<b>Threading:</b>	
Pipeline connection: Threads according to ISO 228/1	
Gauge connection: Threads according to EN 10226- Rp1/4" (ex ISO 7/1)	
<b>Tests according to</b>	EN 1567
Determination of dezincification resistance according to	EN 6509.
Verification of the deviation from the pre-set pressure (Ps) according to	EN 1567 § 8.3.2
Verification of the setpoint range according to	EN 1567 § 8.3.1
Flow rate and outlet pressure according to	EN 1567 § 8.3.4
Acoustic group	II - Lmax (dBA) < 30
Maximum depth of dezincification	200 µm - grade A -

### DESIGN

brass body dimensions 1/2"-1" EN12165-CW602N (DZR)  
 Cast bronze body dimensions 1"1/4-4" EN1982-CB491K  
 Brass bonnet dimensions 1/2"-2" EN12165-CW617N  
 Cast bronze bonnet dimensions 2"1/2-4" EN1982-CB491K  
 Other forged brass component dimensions 1/2"-4" EN12165-CW602N (DZR)  
 Other components in turned brass EN 12164 - CW614N  
 EPDM rubber diaphragm, nylon reinforced to 70 Sh  
 Seat gaskets in NBR RUBBER  
 Static and dynamic O-ring washers in EPDM RUBBER (peroxide-cured)  
 SM GALVANIZED STEEL calibration spring - EN 10270-1  
 STAINLESS STEEL insert seat EN 10088-14310 (AISI 303)

### PRODUCT CODES

0229.015 female/female 1/2"	0229.033 female/female 1"1/4	0229.066 female/female 2"1/2
0229.020 female/female 3/4"	0229.042 female/female 1"1/2	0229.080 female/female 3"
0229.025 female/female 1"	0229.050 female/female 2"	0229.100 female/female 4"

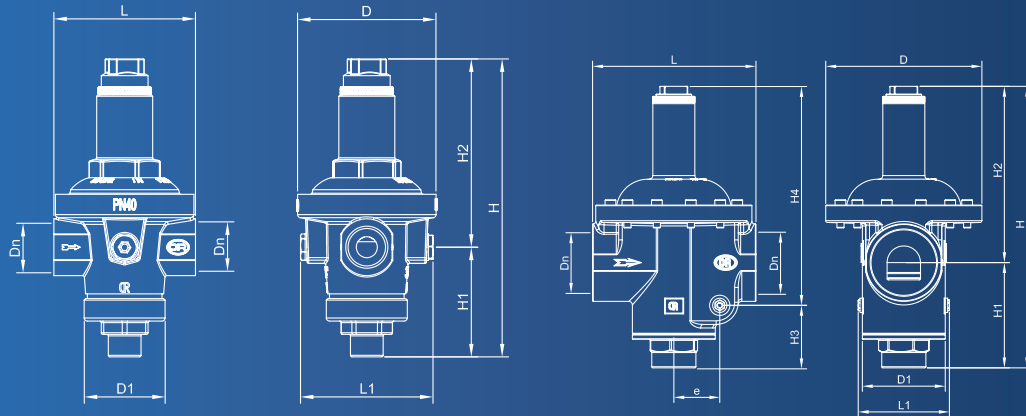


OFFICINE RIGAMONTI S.p.A.  
 via Circonvallazione, 9  
 13018 Valduggia (VC), ITALY  
 TEL. +39 0163.48165  
 FAX +39 0163.47254  
 www.officinerigamonti.it  
 export@officinerigamonti.it

# 0229 • 1/2" - 4"

PRESSURE REDUCING VALVE WITH DIAPHRAGM PN 40 WITH COMPENSATION CHAMBER AND STAINLESS STEEL SEAT - WITH "WRAS" APPROVAL

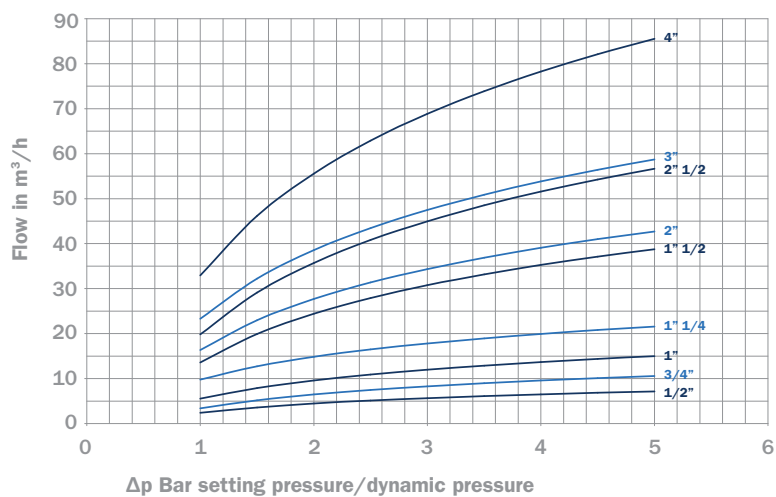
CONNECTIONS: FEMALE-FEMALE



## FEATURES

Dn	D	D1	L	L1	H	H1	H2	H3	H4	e
1/2"	Ø72,5	Ø44	76	67	152,5	65	87,5	\	\	\
3/4"	Ø89	Ø52	91	85	191,5	70,5	121	\	\	\
1"	Ø100	Ø65	104	96	187	73	114	\	\	\
1"1/4	Ø121	Ø78	138	84	197	83,5	113,5	50,5	146,5	25,5
1"1/2	Ø151,5	Ø78	170	84	265	94	171	60	205	35
2"	Ø166,5	Ø84	186	88,5	263,5	91	162,5	51	212,5	34
2"1/2	Ø179	Ø93	206	104	339	122	217	77	262	43
3"	Ø191	Ø102,5	203	129,5	374,5	141,5	233	91,5	283	30
4"	Ø260	Ø139	274	153	482	176,5	305,5	105	377	77

## PRESSURE REDUCING VALVE 0229 1/2" - 4"



All informations included in this catalogue, technical features, drawings and descriptions, are not binding and might be subject to variation at any time, without any forwarding. Any reproduction, even partially, is forbidden and legally pursuable.

